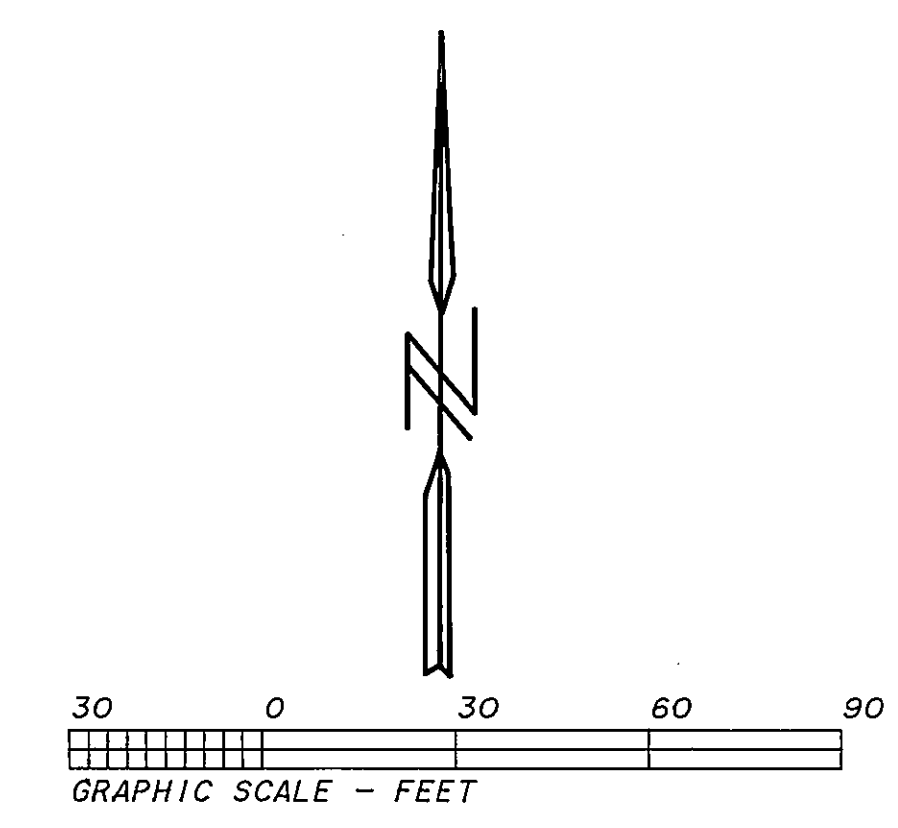
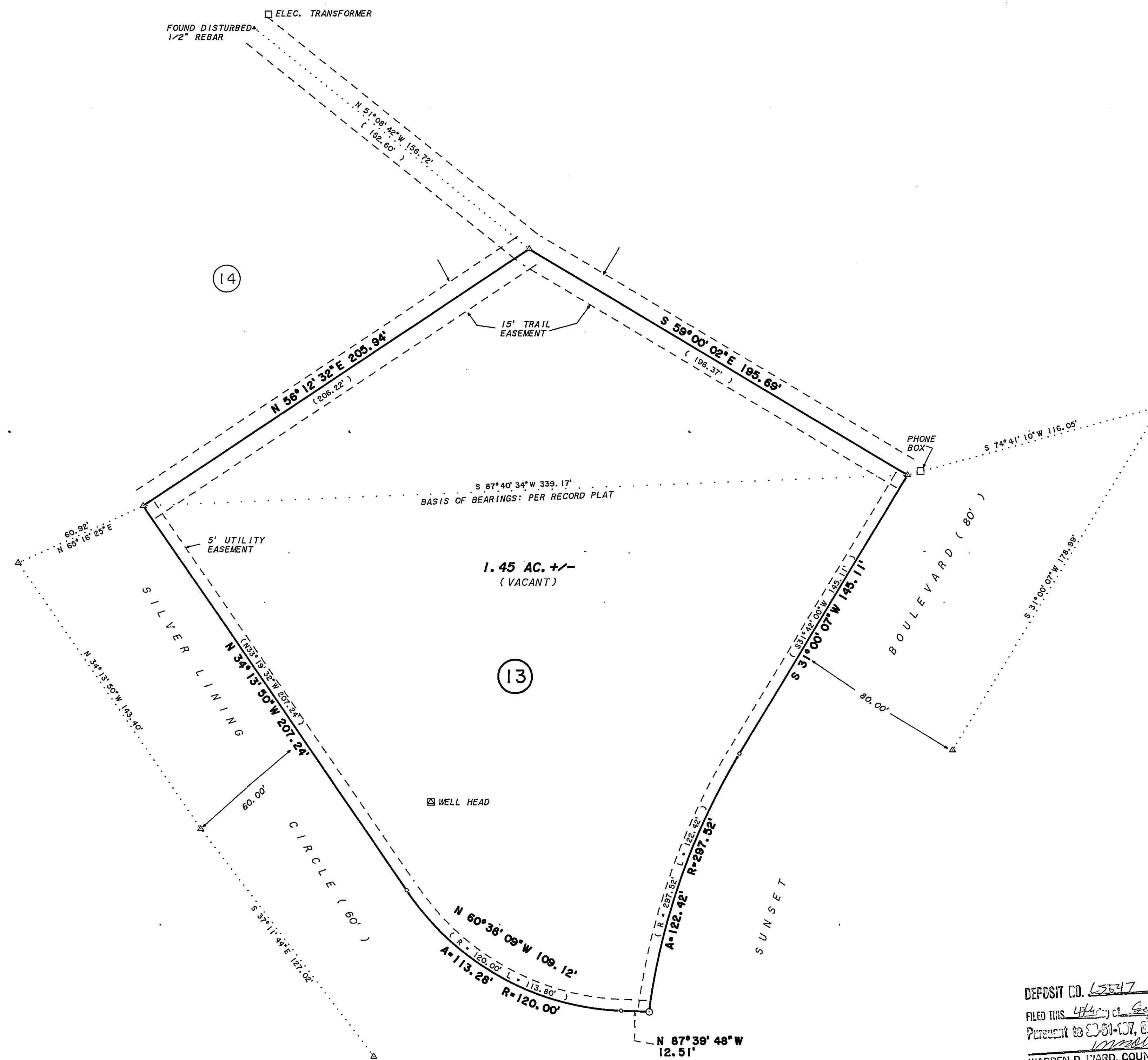


LAND SURVEY PLAT
SUNSET RIDGE FILING 1
BLOCK 1 LOT 13
GRAND COUNTY, COLORADO



○ - DENOTES FOUND 3/8" REBAR

△ - DENOTES FOUND PLASTIC CAPPED REBAR STAMPED PLS 2690, ORIGINAL MONUMENT

○ - DENOTES SET ALUMINUM CAPPED, 1/2" REBAR STAMPED PLS 25971

() - DENOTES RECORD PLAT DATA

NOTE: CLIENT DID NOT REQUIRE ADDITIONAL EASEMENTS TO BE RESEARCHED OR SURVEYED OTHER THAN SHOWN.

THIS LAND SURVEY PLAT WAS PREPARED FOR MELANIE PETERSEN, AND SHOWS THE RESULTS OF A FIELD SURVEY DONE UNDER MY DIRECTION.

WARREN D. WARD, COLORADO PLS 25971

25971

8-26-96

DEPOSIT CO. 62547

FILED THIS 4th day of Sept 1996

Permit to 80-61-107, 613 107A

WARREN D. WARD, COUNTY SURVEYOR

LS 547

AZIMUTH SURVEY COMPANY
P. O. BOX 1372 GRANBY, CO 80446 (970) 726-0783

<p>LAND SURVEY PLAT SUNSET RIDGE FILING NO. 1 BLOCK 13 LOT 1 GRAND COUNTY, COLORADO</p> <p>IN THE SW1/4 SECTION 5, T1S R75W 6TH PM</p> <p>SCALE: 1" = 30' PREPARED JULY 12, 1996 BY WW</p> <p>CRD/SCRN FILE = A24 LAY 81-84</p>	<p>STATE OF COLORADO County of GRAND</p> <p>Filed for record this 28th day of August, 1996</p> <p>Recorded in Book _____ Page _____</p> <p>Recorded by SARAL ROSENE</p> <p>Done M. M. M. M. M.</p> <p>Page 20</p>
---	---

55T1SR75W